



DELTA WATER TECHNOLOGY ®

Delta

WATER SOFTENERS



Delta ESCALDA



- *Small dimensions, big performances*
- *Non-electric operation*
- *Reduced salt and water consumption*
- *Easy to install*
- *Different orientations possible*

100% GREEN



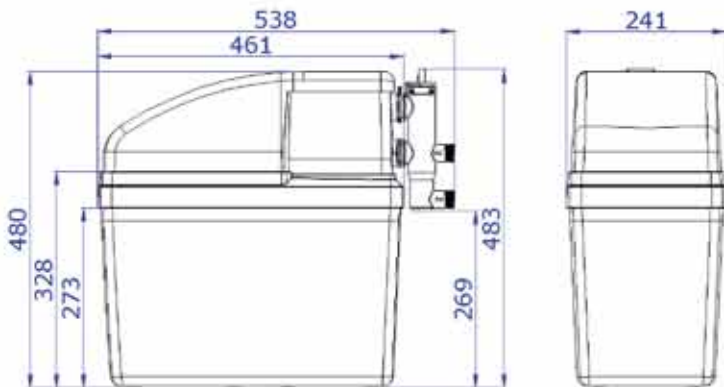


Delta

WATER SOFTENERS

ESCALDA

DIMENSIONS



TECHNICAL DATA

Connection	1/2", 3/4", 1"
Working Pressure	1 - 8*
Flow Rate (Δp 1 bar)	max. 1500 l/h
Exchange Capacity	150 m ³ /ppm CaCO ₃
Water Usage / Regeneration	18 L
Salt Usage / Regeneration	0,3 kg
Regeneration Time	15 min
Max. Temperature	50 °C
Filterscreen	80 μ m

* for a correct regeneration, Delta Softeners require a minimum outlet pressure of 0.8 bar



Delta Water Engineering NV

Waesdonckstraat 1, 2640 Mortsel (Antwerp), BELGIUM

T +32 3 219 50 70

E info@deltawatersystems.com

U www.deltawatersystems.com


POLLET WATER GROUP

